

Model EX5100 Express Tabber

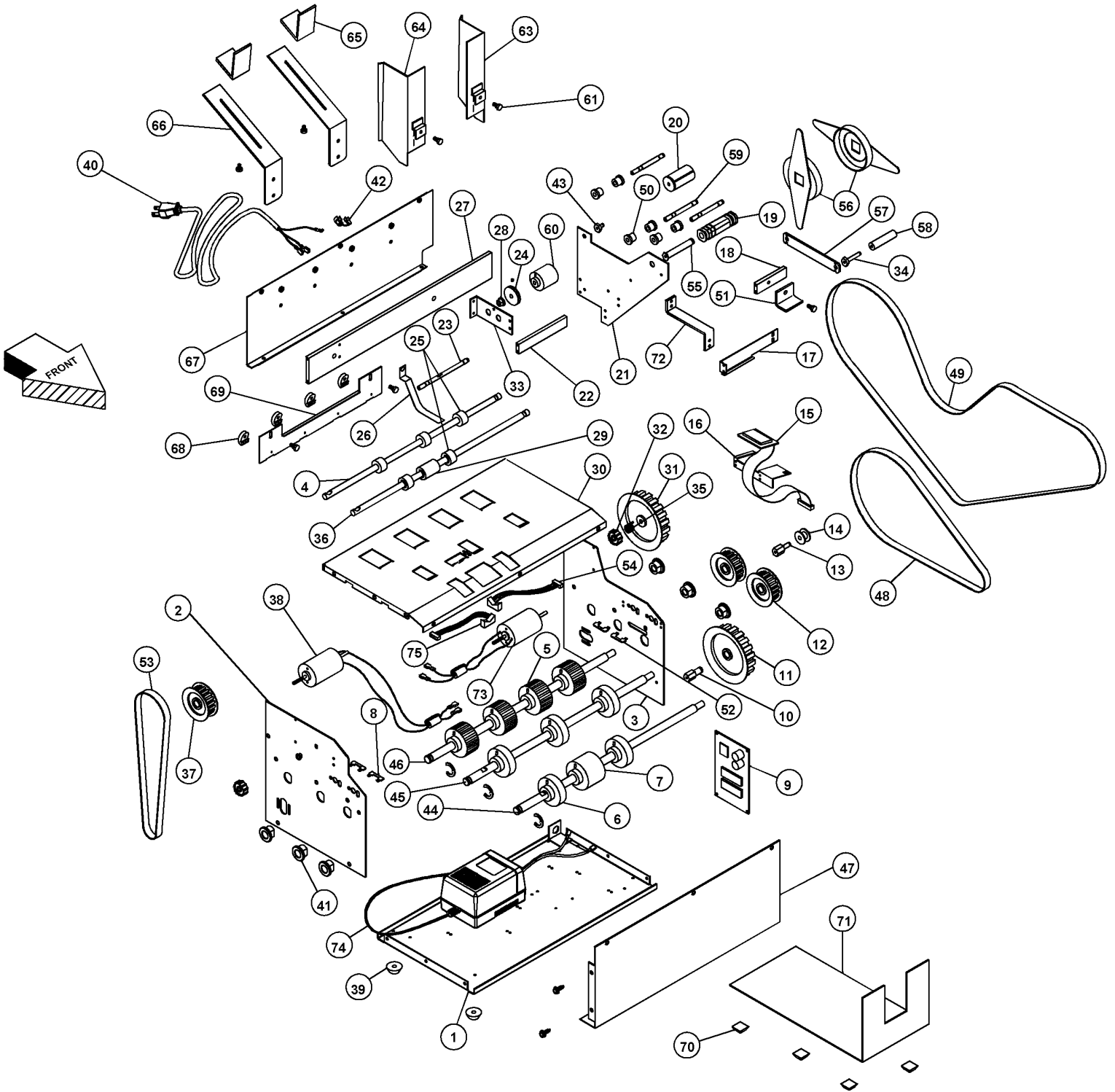
PARTS LIST

| Item | Part No. | Qty. | Description | Item | Part No. | Qty. | Description |
|------|-----------|------|-------------------------|------|-------------|------|----------------------------|
| 1. | W-O501104 | 1 | Bottom Panel | 38. | W-A501183 | 1 | Asy Tab Motor 5mm Bore |
| 2. | W-O501114 | 1 | Tabber Right Side Frame | 39. | M-S030045 | 4 | Rubber Foot |
| 3. | W-O501115 | 1 | Tabber Left Side Frame | 40. | M-S037020 | 1 | 115V USA Line Cord |
| 4. | W-O501206 | 1 | Upper Middle Shaft | 41. | M-S013024 | 6 | Media Drive Bushing |
| 5. | M-O501006 | 4 | Media Feed Wheel | 42. | M-S035015 | 1 | Strain Relief #SR-5P-4 |
| 6. | M-O501403 | 5 | Media Drive Roller | 43. | W-O501215 | 1 | Back Tape Mounting Post |
| 7. | W-O501604 | 1 | Tab Back-Up Roller | 44. | W-O501204 | 1 | Exit Shaft |
| 8. | W-O501622 | 2 | Right Pressure Arm | 45. | W-O501203 | 1 | Media Drive Shaft |
| 9. | W-O501005 | 1 | Tabber Logic Board | 46. | W-O501201 | 1 | Feeder Shaft |
| 10. | W-O501220 | 1 | 20 X 80T Pulley Post | 47. | W-O501103 | 1 | Rear Panel |
| 11. | M-O501003 | 1 | 20 X 80T Dual Pulley | 48. | M-S025042 | 1 | 95T 3MM HDT Belt |
| 12. | M-S022134 | 2 | 28T 3MM HDT Pulley | 49. | M-S025046 | 1 | 204T Timing Belt |
| 13. | W-O501609 | 1 | Belt Idler Pulley Post | 50. | M-O501304 | 6 | Tab Guide Spool |
| 14. | W-O501610 | 1 | Belt Idler Pulley | 51. | M-O501607 | 1 | Tab Support Guide |
| 15. | W-A501181 | 1 | LCD Display Assembly | 52. | W-O501621 | 2 | Left Pressure Arm |
| 16. | W-O501618 | 1 | LCD Display Bracket | 53. | M-S025041 | 1 | 130T 3MM HDT Belt |
| 17. | W-O501113 | 1 | EX5100 Tab Peel Plate | 54. | M-S045285 | 1 | Sensor Retro Rflct |
| 18. | W-O501216 | 1 | Peel Mounting Bar | 55. | W-O501212 | 1 | Tab Reel Spindle Post |
| 19. | W-O501303 | 1 | Tab Reel Spindle | 56. | M-O501010 | 2 | Tab Reel and Guide |
| 20. | W-O501306 | 1 | Take-Up Spool | 57. | W-O501218 | 1 | Tab Reel Brake Link |
| 21. | W-O501109 | 1 | Tabber Dispenser Frame | 58. | W-O501050 | 1 | Tab Reel Brake Roller |
| 22. | W-O501606 | 1 | Tab Support Bar | 59. | W-O501214 | 3 | Tab Spool Guide Post |
| 23. | W-O501209 | 1 | Dispenser Drive Shaft | 60. | W-A501601 | 1 | Tab Drive Roller |
| 24. | W-O501305 | 1 | Take-Up Drive Pulley | 61. | M-S032004 | 2 | #10-32X3/8 Ny.Thumb Screw |
| 25. | M-O501602 | 5 | Drive Pressure Roller | 63. | W-O501107 | 1 | Left Media Guide, Tabber |
| 26. | W-O501119 | 1 | Feeder Exit Guide | 64. | W-O501108 | 1 | Right Media Guide, Tabber |
| 27. | W-O501219 | 1 | Cross Bar | 65. | W-I501611 | 2 | Media Feed Adjust Brkt. |
| 28. | W-O501031 | 2 | Bushing with Flat | 66. | W-I501612 | 2 | Media Support Bracket |
| 29. | W-O501603 | 1 | Tab Pressure Roller | 67. | W-O501102 | 1 | Front Panel |
| 30. | W-O501101 | 1 | Top Panel | 68. | M-O501004 | 4 | Media Separator |
| 31. | M-O501015 | 1 | 72T Feed Drive Pulley | 69. | W-O501614 | 1 | Separator Frame |
| 32. | WRO501012 | 2 | Bore 5mm 10T Pulley | 70. | M-S61000039 | 4 | Rubber Bumpers |
| 33. | W-O501608 | 1 | Dispenser Shaft Bracket | 71. | W-O501620 | 1 | Exit Tray |
| 34. | W-O501213 | 1 | Brake Link Post | 72. | W-O501615 | 1 | Peel Plate Support Bracket |
| 35. | M-S031033 | 1 | Clutch Spring | 73. | W-A501184 | 1 | Asy Med Motor 5mm Bore |
| 36. | W-O501207 | 1 | Upper Exit Shaft | 74. | W-A501222 | 1 | 120VAC Transformer |
| 37. | M-O501014 | 1 | 60T Drive Pulley | 75. | M-S045313 | 1 | Long Range Retro Sensor |

Parts List for Non - Illustrated Parts

| | | | | | |
|-----------|---|----------------------------|-----------|---|--------------------------------|
| WRA500022 | 2 | #10 Blue Thumb Screw Knob | M-S031097 | 4 | Pressure Arm Spring |
| WRA500021 | 5 | #10 Black Thumb Screw Knob | M-S004003 | 4 | #6 Screw for Spring Attachment |
| W-O501109 | 1 | Tabber Dispenser Frame | M-S033025 | 1 | On/Off Switch SPST 16A |
| WRA501001 | 1 | Left Side Cover | M-S033026 | 2 | Momentary Switch |
| M-O501002 | 1 | Right Side Cover | W-A501025 | 1 | Media Switch Cable |
| M-S023030 | 1 | #203 O-Ring EPDM | W-A501026 | 1 | Tab Switch Cable |
| M-S023031 | 2 | 11/16" ID O-Ring | W-A501182 | 2 | Tab Sensor Cable Assy |
| M-S023033 | 1 | Take-Up Drive Belt | WRA501175 | 1 | 18" Power Cable |

PARTS DIAGRAM



Martin Yale™

Quality Delivered, Service Guaranteed.

251 Wedcor Avenue • Wabash, IN 46992

Phone: (260) 563-0641 • Fax: (260) 563-4575

website: www.martinyale.com • email: info@martinyale.com