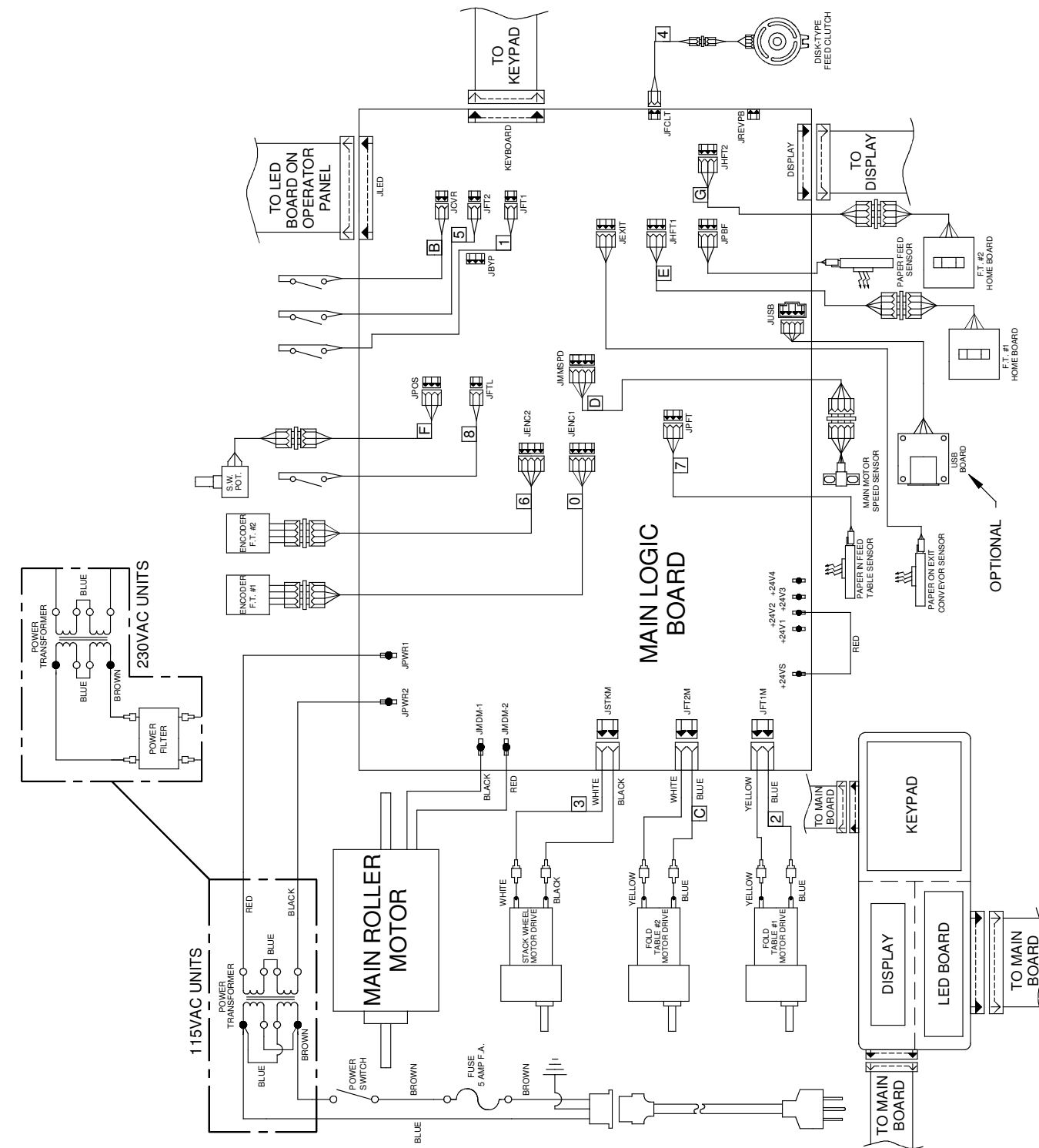


Martin Yale™

2051 SmartFold™

Parts List & Diagrams



2051 Wiring Diagram



251 Wedcor Avenue, Wabash IN 46992
 Phone: (260) 563-0641 • Fax: (260) 563-4575
 Website: www.martinyale.com • Email: info@martinyale.com

Bill of Materials for 2051 Auto Folder			
ITEM	PART NUMBER	DESCRIPTION	QTY.
1	WRA2051016	PACK SECOND RLR	1
2	WRA2051013	PACK FIRST ROLLER	2
3	WRA2051007	4TH ROLLER	1
4	M-S048015	DAMPER .24RODX3"STRK	1
5	M-S020016	BNG .375IDX.875OD	8
6	M-O2051006	BEARING CARRIER	8
7	M-S031102	COMP SPR. 240D X 1.00L X .042WIRE	4
8	W-A2051043	ASY FD TBL GUIDE F	1
9	W-A2051041	ASY FEED TABLE	1
10	W-O2051369	CLUTCH FEED WHEEL	1
11	WRA2051022	ASY FOLD TABLE	2
12	W-A2051042	ASY FD TBL BRIDGE	1
13	W-A2051071	ASY EXIT CONVEYOR	1
14	W-A2051105	ASY MOTOR COVER	1
15	W-A2051109	ASY SUPPORT FRAME	1
16	W-F2051104	P/C ACCESS PANEL	1
17	W-A2051087	ASY CONV STACK WHEELS	1
18	W-O2051066	B/O LOCK LUG	8
19	W-A2051002	ASY FRONT FRAME	1
20	W-A2051079	ASY BACK FRAME	1
21	W-F2051060	P/C ROLLER PLATE	1
22	W-O2051110	PAINT SHEET METAL TOP COVER	1
23	W-F2051070	P/C BASE PLATE	1
24	W-O2051224	PNT T-HANDLE COVER	1
25	WRA012016	T-HANDLE ASSY.	1
26	WRO2051019	FOLD TABLE DRIVE PARTS SALE	2
27	W-F2051040	PNT FOLD TABLE SUPPORT	1
28	W-N2051068	CNC MACH DIVERTER	1
29	M-O003033	GEAR 24T X 3/8ID	2
30	M-O2051065	4TH RLR DRV GEAR	1
31	M-O2051064	EXIT CONV IDLR GEAR	1
32	M-O2051063	EXIT CONV DRV GEAR	1
33	W-O2051062	B/O CONV IDLER STUD	1
34	W-O202144	P/S STAKE HTD 30MM 25T PULLEY	1
35	W-A2051162	120T PULLEY 3MM HTD	1
36	M-S023055	HTD 3MM 186T 9MM W	1
37	W-O2051159	B/O IDLER STUD	1
38	M-S013081	1/2X5/8X3/4 BUSHING	1
39	W-O2051368	B/O Feed Wheel Shaft Ogura	1
40	M-O2051067	SECOND RLR DRV GEAR	1
41	W-A2051085	ASY DISK TYPE FEED CLUTCH ASSEMBLY	1
42	W-O2051086	B/O GUIDE SHAFT	2
43	W-A2051119	ASY OPTICAL ENCODER	1
44	W-F2051056	P/C FEED TABLE EXT	2
45	W-F2051106	PNT LOAD SENSOR BRACKET	1
46	M-O2051102	FRONT COVER	1
47	M-O2051103	REAR COVER	1
48	M-O2051115	SMARTFOLD LABEL	1
49	M-O2051139	ANTI-TWIST GEARRACK	2
50	W-O970034	B/O SWITCH BRKT	3
51	M-S033040	MICROSWITCH	3
52	W-A2051135	ASY OPERATOR INTERFACE	1
53	WRA021076	MOTOR W/ TERMINALS	1
54	W-A2051204	ASY MOTOR SPEED SENSOR	1
55	M-S037094	4" FAN LEFT H. PLAST-ON 1611 LINE	1
56	M-S033070	CONVEYOR SWITCH 1601	1
57	M-S014031	5/8 IGLIDE CLIP BRG	1
58	M-S014016	THOMPSON NYLINER, #4L1-FF, TYPE 7	2
59	W-A2051051	ASY FD TBL GUIDE ASSY-R	1
60	M-O2051208	SYNCHRO GEAR	2
61	M-S015288	BLANK SERIAL LABEL	1
62	M-S031103	E-SPR.18X1.0X.015	2
63	M-S63601106	FUSE 5AMP 110V	1
64	M-S031105	E-SPR.24X1.25X.031	3
65	M-S045074	18-3 SVT 2M CORD	1
66	W-O2051073	B/O DRV SHFT	1
67	M-S045285	SENSOR RTR0 RFLCT	3
68	M-S030051	GROMMET .25IDX.44OD	2
69	W-O2051237	P/C EXIT DEFLECTOR	1

Bill of Materials (220V Model)			
ITEM	PART NUMBER	DESCRIPTION	Default/Qty.
65.1	M-S037404	Europe Power Cord IEC320	1
65.2	M-S037405	UK Power Cord IEC320	1
Parts Not Shown			
REF. PART	PART NUMBER	DESCRIPTION	QTY.
39	M-S010006	5133-50 EXT."E" RING	4
All Parts Same for 2045 Except the Following			
ITEM	PART NUMBER	DESCRIPTION	QTY.
48	M-O2045001	SMARTFOLD LABEL	1
52	W-A2045002	ASY OPERATO INTERFACE	1

