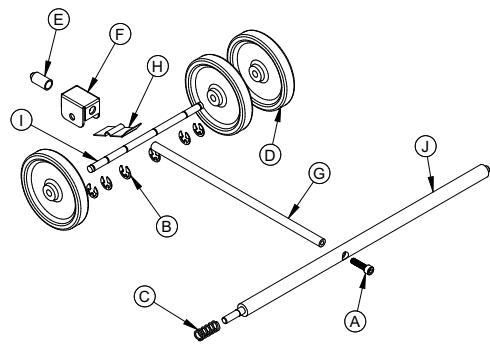
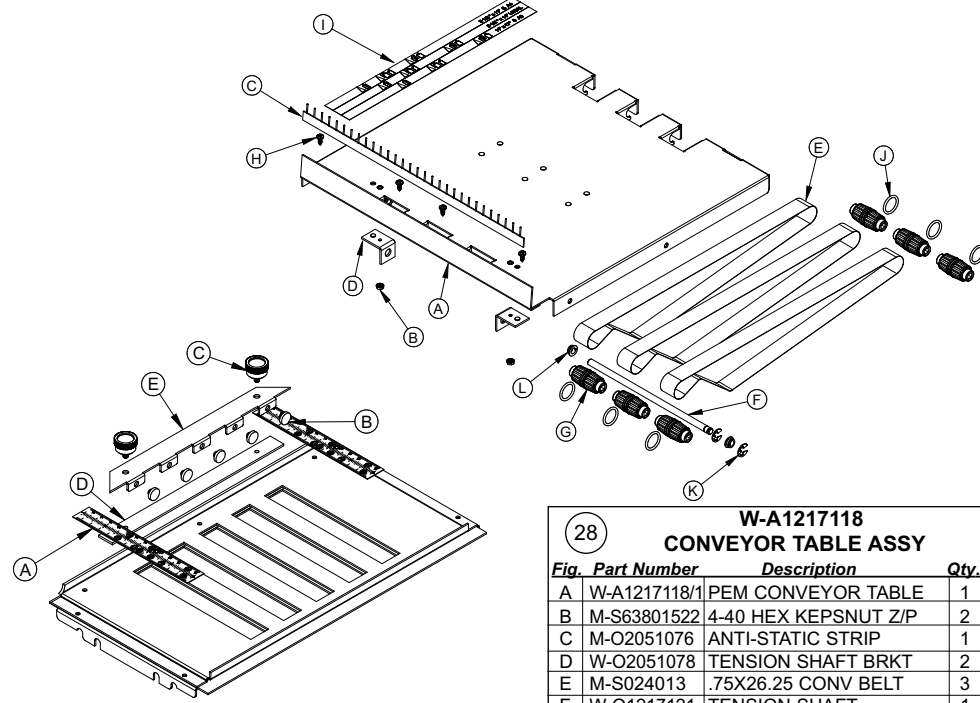


Model 1217A AutoFolder

Parts List & Diagrams

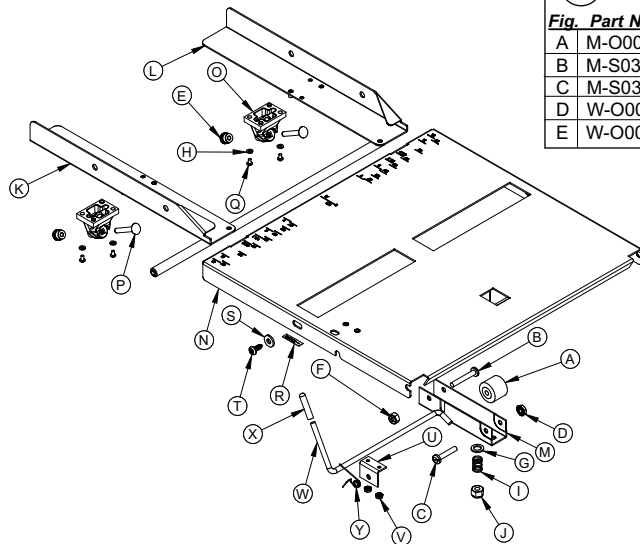


46 W-A121718 STACK WHEEL ASSY				
Fig.	Part Number	Description	Qty.	
A	M-S003045	10-32X1/2 SOCKET HEAD	1	
B	M-S010004	5133-25 EXT. E-RING	6	
C	M-S031050	COMPRESSION SPRING LG.	1	
D	M-S034001	L30-4 BLACK 3" WHEEL	3	
E	M-S043068	VINYL CAP .281 ID X .63	1	
F	W-O003090	AXLE HOUSING	1	
G	W-O003093	STACK WHEEL SHAFT	1	
H	W-O008013	STACKING FINGER	1	
I	W-O121776	STACK WHEEL AXLE	1	
J	W-O121777	STACK WHEEL BAR	1	

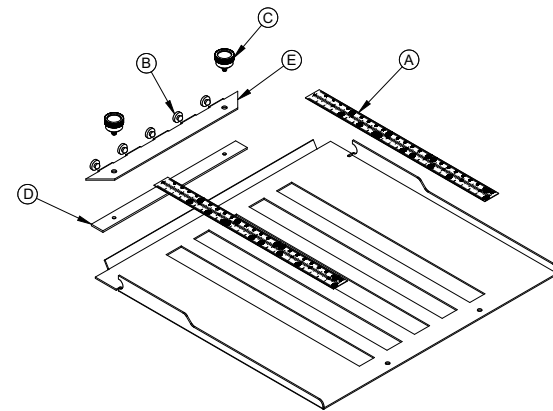


28 W-A1217118 CONVEYOR TABLE ASSY				
Fig.	Part Number	Description	Qty.	
A	W-A1217118/1	PEM CONVEYOR TABLE	1	
B	M-S63801522	4-40 HEX KEPSNUT Z/P	2	
C	M-O2051076	ANTI-STATIC STRIP	1	
D	W-O2051078	TENSION SHAFT BRKT	2	
E	M-S024013	.75X26.25 CONV BELT	3	
F	W-O1217121	TENSION SHAFT	1	
G	M-O2051072	CONV BELT DRIVE PULLEY	6	
H	M-S004003	6X3/8 PHIL PAN HD AB	4	
I	M-O1217120	STACK WHEEL DECAL	1	
J	M-S023058	O-RING #113 EPDM	6	
K	M-S010004	5133-25 EXT."E" RING	2	
L	M-S014016	4L1-FF NYLINER	2	

39 W-A121767 2ND FOLD TABLE ASSY				
Fig.	Part Number	Description	Qty.	
A	M-O001568	2ND FOLD RULER	2	
B	M-S030015	PAPER STOP BUMPER	5	
C	M-S032007	8-32" X 1/4" KNOB	2	
D	W-O001507	LOCK BRACKET, PLATE	1	
E	W-O001534	PAPER STOP	1	



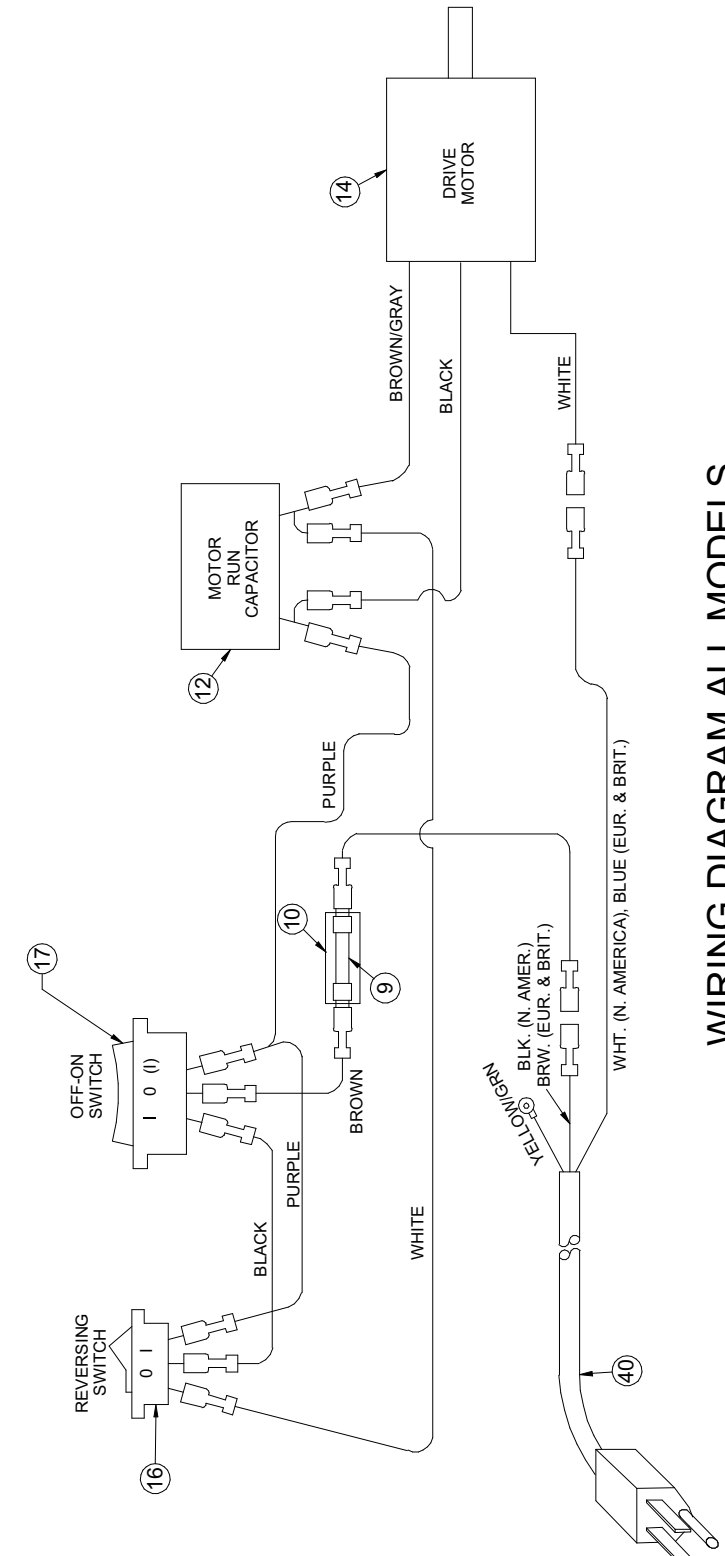
29 W-A1217100 FEED TABLE ASSY				
Fig.	Part Number	Description	Qty.	
A	WRA003116	RETARDER ASSY	1	
B	M-S001021	10-32X1.25 PHL PAN/HD	1	
C	M-S001081	10-32X1 SLOT PAN HD	1	
D	M-S007008	10-32 HEX KEPS NUT	1	
E	M-S032070	1/4-20 D/C THUMB NUT	2	
F	M-S007040	10-32 ELASTIC NUT	1	
G	M-S008011	1/4X9/16X1/16 NYLON F/W	1	
H	M-S008035	#4 FLAT WASHER, ZINC	4	
I	M-S031093	LEE SPRING LC-035F-1	1	
J	M-S007047	1/4-20 ELASTIC STOP	1	
K	W-11217103	PEM PAPER GUIDE, RIGHT	1	
L	W-11217102	PEM PAPER GUIDE, LEFT	1	
M	W-O007511	RETARDER HOLDER, B/O	1	
N	W-F1217100	PEM FEED TABLE	1	
O	M-O2051163	PAPER GUIDE CLAMP	2	
P	M-S006040	10-24X1.25 CARRIAGE	2	
Q	M-S001132	4-40X1/4 PHMS,PHL.ZP	4	
R	M-O1217151	BYPASS LABEL	1	
S	M-S008005	10 WASHER	1	
T	M-S63751627	10-32X1/2 BUTT HD SCREW	1	
U	W-O1217106	BYPASS LEVR BRKT P/C	1	
V	M-S63801522	4-40 HEX KEPSNUT Z/P	2	
W	M-O1217104	BYPASS LEVER	1	
X	M-S030055	RUBBER CAP, 5/32 X1	1	
Y	M-S031106	BYPASS TORSION SPRING	1	



27 W-A121764 1ST FOLD TABLE ASSY				
Fig.	Part Number	Description	Qty.	
A	M-O001566	1ST FOLD RULER, 1217A	2	
B	M-S030015	PAPER STOP BUMPER	5	
C	M-S032007	8-32" X 1/4" KNOB	2	
D	W-O001507	LOCK BRACKET, PLATE	1	
E	W-O001534	PAPER STOP	1	

NOTE: ANY PART NOT LABELED IN THE ASSEMBLY DIAGRAMS MAY ONLY BE ORDERED AS A COMPLETE ASSEMBLY.

Fig.	Part Number	Description	Qty.
14	M-S021067	110V AC MOTOR	1
	M-S021068	220V AC MOTOR	1
17	M-S033064	ON/OFF/MOMENTARY SWITCH	1
16	M-S033065	SWITCH, REVERSING	1
40	M-S037020	115V USA LINE CORD	1
	M-S037286	EUROPEAN CORD, 10 AMP	1
	M-S045177	BRITISH LINE CORD, 3 AMP	1
12	M-S045280	25UF CAPACITOR, CAN	1
	M-S045249	6MF MOTOR CAP (220V)	1
10	M-S045231	FUSE HOLDER	1
9	M-S63601106	FUSE 5AMP	1

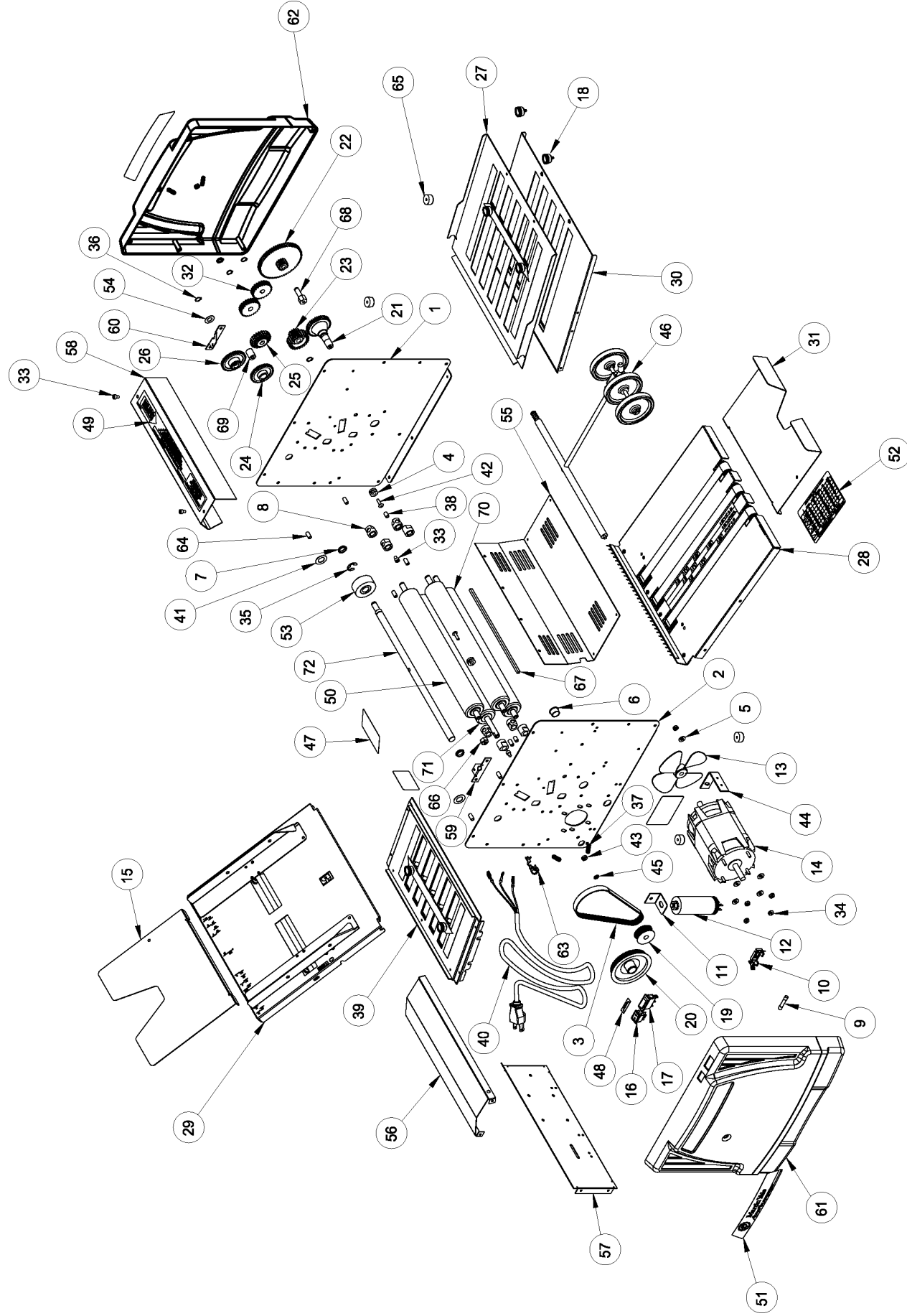


WIRING DIAGRAM ALL MODELS



251 Wedcor Avenue • Wabash, IN 46992
 Phone: (260)563-0641 • Fax: (260)563-4575
 Website: www.martinyale.com • Email: info@martinyale.com





1217A AUTOFOLDER

REVISION DATE: 4/23/13

1217A AUTOFOLDER PARTS LIST

Fig.	Part Number	Description	Qty.
1	W-O1217122	LEFT SIDE FRAME	1
2	W-O1217123	RIGHT SIDE FRAME	1
3	M-S025055	140T 3MM HTD BELT	1
4	M-S030051	GROMMET .25ID X .44OD	2
5	M-S008005	#10 WASHER	5
6	M-S035038	HEYCO OCB-625	1
7	M-S014030	1/2 IGLIDE CLIP BEARING	2
8	M-S013009	3/8 ID BUSHING W/FLATS	8
9	M-S63601106	FUSE 5AMP	1
10	M-S045231	FUSE BLOCK 3AG SING	1
11	W-O1217128	CAPACITOR BRKT (110v only)	1
12	M-S045280	25UF CAPACITOR, CAN (110v)	1
12	M-S045249	6MF MOTOR CAP	1
13	M-S037096	4 1/2" 4BLADE FAN RHB	1
14	M-S021067	110V AC MOTOR	1
14	M-S021068	220V AC MOTOR	1
15	W-O1217101	PAPER SUPPORT	1
16	M-S033065	REVERSING SWITCH	1
17	M-S033064	ON/OFF/MOMENT. SWITCH	1
18	M-S032007	8-32 X 1/4" KNOB	2
19	M-S022136	32T MOTOR PULLEY	1
20	M-O121798	80T COMBO PULLEY	1
21	M-O2051063	CONVEYOR DRIVEN GEAR	1
22	M-O2051064	CONVEYOR STEP GEAR	1
23	M-O2051065	4TH ROLLER GEAR	1
24	M-O1217113	FEED IDLER GEAR	1

Fig.	Part Number	Description	Qty.
25	M-O1217112	FEED DRIVE GEAR	1
26	M-O1217115	FEED CLUTCH GEAR	1
27	W-A121764*	1ST FOLD TABLE ASSY	1
28	W-A1217118*	CONVEYOR TABLE ASSY.	1
29	W-A1217100*	FEED TABLE ASSY	1
30	W-1121765	1ST FOLD TABLE LOWER	1
31	W-O1217119	EXIT TRAY	1
32	M-O003033	GEAR 24T X 3/8ID	2
33	M-S003085	10-32 X 1/4 SHCS	2
34	M-S007037	M5 KEP NUT	5
35	M-S010006	5133-50 EXT. "E" Ring	1
36	M-S010002	5100-37 EXT. RET. RING	5
37	M-S031034	COMP. SPRING, RED	4
38	M-S019032	1/4 X 3/8 X .17ID SPACER	2
39	W-A121767*	2ND FOLD TABLE ASSY	1
40	M-S037020	115V USA LINE CORD	1
40	M-S037286	EUROPEAN CORD, 10 AMP	1
40	M-S045177	BRITISH LINE CORD, 3 AMP	1
41	M-S008046	.511ID X .9060D X .031	1
42	M-S001117	8-32 X 5/8 TRUSS HD	2
43	M-S007006	8-32 HEX KEPS NUT	3
44	W-O121757	MOTOR SUPPORT BRKT	1
45	M-S63500882	EARTHING DECAL	1
46	W-A121718*	STACKING WHEEL ASSY	1
47	M-S015288	BLANK SERIAL LABEL	3
48	M-O121730	1217 REVERSING LABEL	1

Fig.	Part Number	Description	Qty.
49	M-O121761	RESULTS DECAL	1
50	W-A1217107	INTERMEDIATE ROLLER	2
51	M-O121760	LABEL LOGO	2
52	M-O001569	INST. NAMEPLATE	1
53	W-A1217010	1217 FEED WHEEL	1
54	M-S008115	.38 X .75 X .025 NYLON	1
55	W-O121751	VENT GUARD	1
56	W-O121786	MOTOR COVER	1
57	W-O121750	CHUTE	1
58	W-O121788	ROLLER COVER	1
59	W-O095265	RIGHT ROLLER GUIDE BRKT	1
60	W-O095280	LEFT ROLLER GUIDE BRKT	1
61	W-O121802	RIGHT SIDE COVER	1
62	M-O121803	LEFT SIDE COVER	1
63	M-S035018	HEYCO STRAIN RELIEF	1
64	M-O003104	FEED TABLE PINS	7
65	M-S030045	RUBBER FOOT	4
66	M-O095242	HEX INDEX PIN	1
67	W-O1217116	CONV DRIVE SHAFT	1
68	W-O2051062	CONV IDLER STUD	1
69	W-O1217114	FEED IDLER STUD	1
70	W-A1217109	4TH FOLD ROLLER	1
71	W-A1217108	2ND ROLLER	1
72	W-O1217111	FEED SHAFT	1

* SEE ASSEMBLY DIAGRAM ON PAGE 4