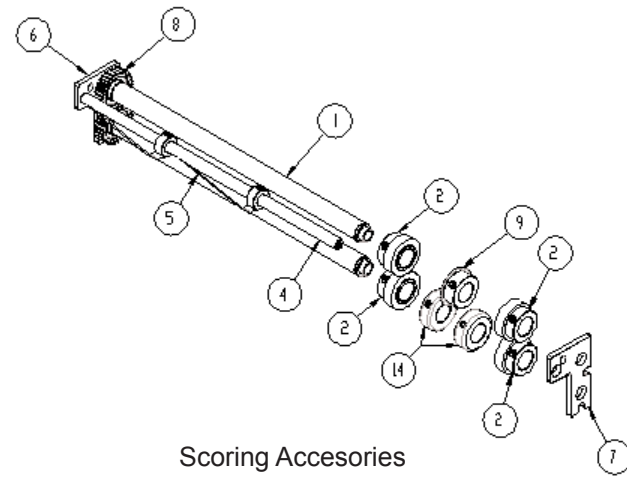
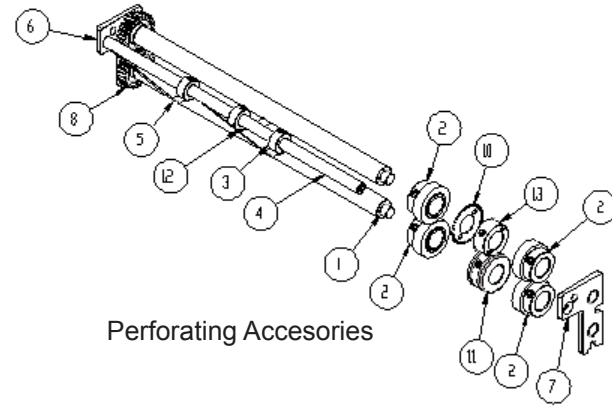


Item	Part No.	Description	Qty
1	W-OMK7071	ACCESSORY SHAFT B/O	2
2	W-AMK7072	EXIT ROLLER ASSEMBLY	4
3	W-OMK7077	ACCESSORY GUIDE COLLAR	3
4	W-OMK7079	B/O ACCESSORY TIE ROD	1
5	W-OMK7078	ACCESSORY GUIDE STRIP BO	2
6	W-OMK7080	LEFT ACCESSORY MOUNT BO	1
7	W-OMK7081	RIGHT ACCESSORY MOUNT BO	1
8	M-OMK7117	16P28T SPUR GEAR 5/8 D-BORE	2
9	W-OMK7202	THIN SCORING HUB B/O	1
10	M-OMK7241	PERFORATOR BLADE 41T	1
11	M-OMK7201	PERFORATOR BACKUP HUB	1
12	W-OMK7076	PERF STRIPPER BO	1
13	M-OMK7200	BLADE HUB	1
14	W-OMK7204	SCORING BACKUP COLLAR B/O	2

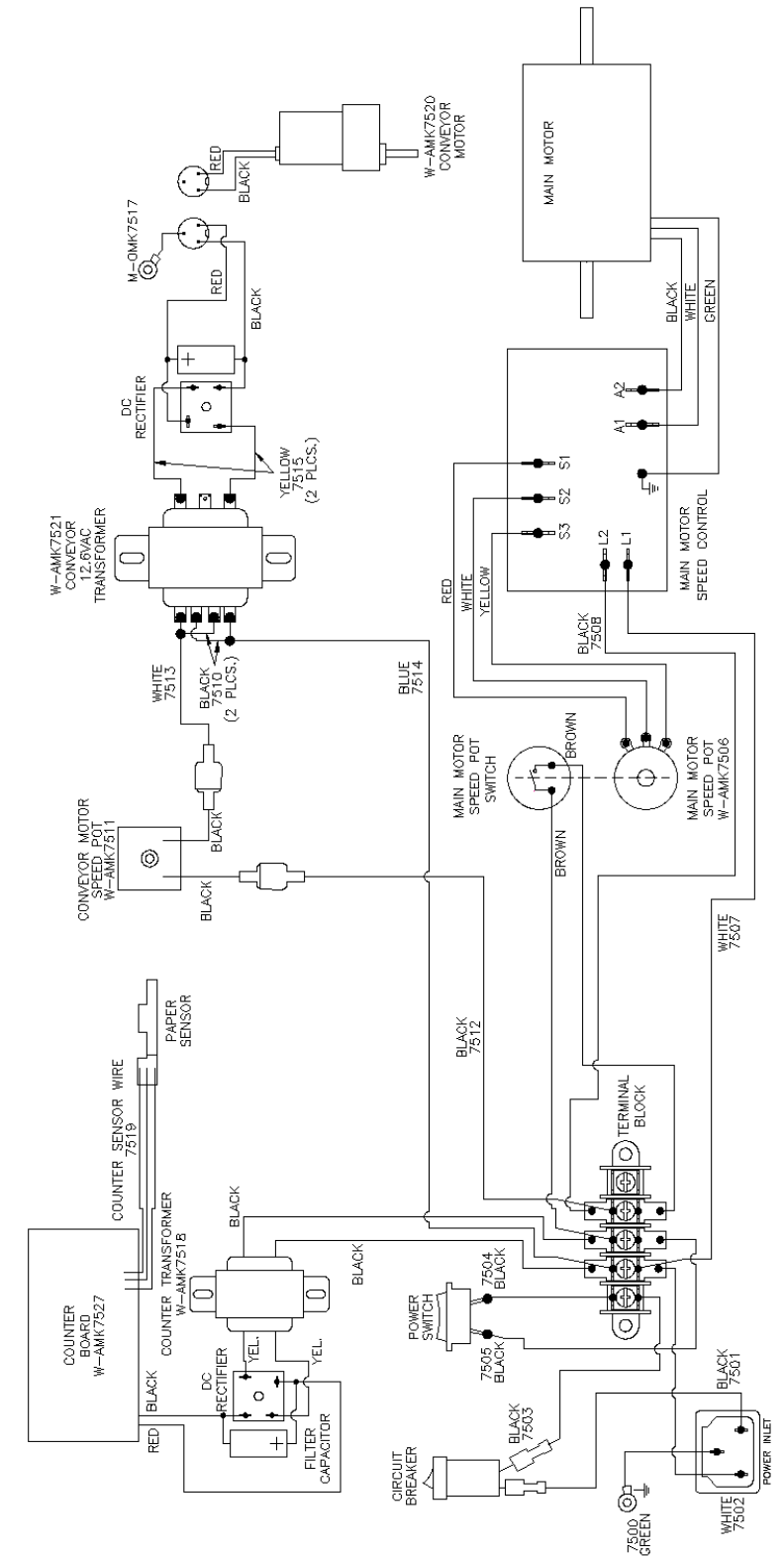
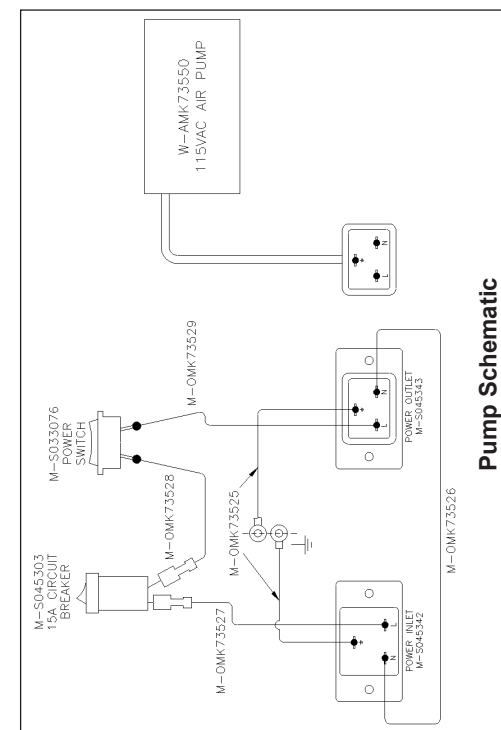


Scoring Accesories



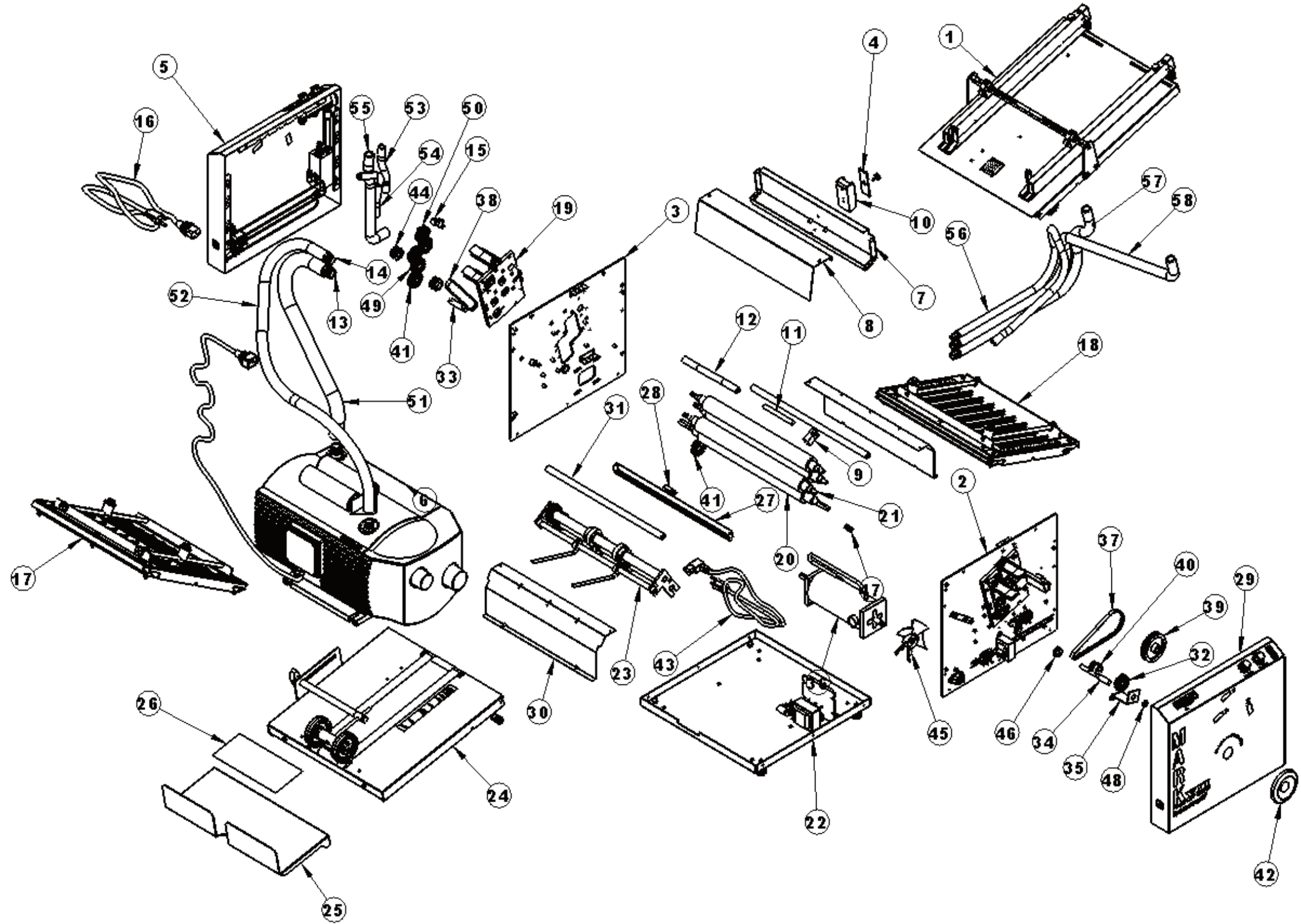
Perforating Accesories

MARTIN YALE
Industries
251 Wedcor Avenue • Wabash, IN 46992
Phone: (260)563-0641 • Fax: (260)563-4575
Website: www.martinyale.com • Email: info@martinyale.com



Mark VII AF Parts List & Diagram

Item	Part No.	Description	Qty
1	W-AMK73035	AIR FEED TABLE ASSEMBLY	1
2	W-AMK73050	LEFT SIDE FRAME ASSEMBLY	1
3	W-AMK73051	AIR RIGHT SIDE FRAME ASSY	1
4	W-AMK73055	AIR SEPARATOR FINGER	1
5	W-AMK73111	AIR RIGHT SIDE COVER ASSY	1
6	W-AMK73550	MARK VII AIR PUMP ASSEMBLY	1
7	W-FMK73115	AIR SEPARATOR FRAME P/C	1
8	W-FMK73116	P/C AIR ROLLER GUARD	1
9	W-OMK73117	NOSE PIPE BLOCK B/O	1
10	W-OMK73118	AIR SEPARATOR CARRIER	1
11	M-O095222	NOSE PIPE	1
12	W-OMK73131	NOSE PIPE TUBE 7"	1
13	M-S043090	1 X .75NPT HOSE BARB S	1
14	M-S043091	3/4" X 1/2 NPT HOSE BARB S	1
15	M-S043070	.38 X .38 ELBOW 90 DEG	1
16	M-S045344	8'2" 12/3 SJT B NEMA 5-20P	1
17	W-AMK7010	1ST FOLD PLATE ASSEMBLY	1
18	W-AMK7011	2ND FOLD PLATE ASSEMBLY	1
19	W-AMK7020	RIGHT BEARING PLATE ASSY	1
20	WRAMK7030	DRIVE ROLLER	1
21	WRAMK7031	FOLD ROLLER	3
22	W-AMK7052	BASE PAN ASSEMBLY	1
23	W-AMK7071	ACCESSORY ASSEMBLY	1
24	W-AMK7085	CONVEYOR ASSEMBLY	1
25	W-FMK7091	CONVEYOR TRAY P/C	1
26	M-OMK7096	SIMPLE FOLD CHART	1
27	W-IMK7106	PEM SENSOR BRACKET	1
28	M-S045285	SENSOR RTRO RFLCT	1
29	W-AMK7110	LEFT COVER ASSEMBLY	1
30	W-FMK7053	MOTOR SHROUD P/C	2
31	W-OMK7055	B/O TIE ROD	2
32	M-OMK7065	DEJAM GEAR	1
33	W-OMK7070	B/O ACCESSORY DRIVE SHAFT	1
34	W-OMK7107	DEJAM HANDLE SHAFT B/O	1
35	W-OMK7108	DEJAM HANDLE BRACKET B/O	1
36	M-S021084	MARK VII MOTOR 90VDC	1
37	M-S025388	82T XL037 BELT	1
38	M-S025011	BELT XL037 65T	1
39	M-S022165	42T XL PULLEY .50 ID	1
40	M-S022017	PULLY 12X438 BORE	1
41	M-O03034A	GEAR 24T X 1/2" D-BORE	2
42	M-S032047	HANDWHEEL DG#239	1
43	9925051	POWER CORD US 18-3	1
44	M-S022163	15T XL037 PULLEY 1/2ID DF	2
45	M-S037094	4" FAN LEFT PLASTIC	1
46	M-O095903	14T .38 D-BORE GEAR	1
47	M-S031113	DE-JAM COMPRESSION SPRING	1
48	M-S014030	1/2 IGLIDE CLIP BRG	1
49	M-OMK7124	24T SPUR GEAR 1/2 D- BORE	1
50	M-OMK7123	24T SPUR GEAR 3/8 D-BORE	3
51	W-OMK73139	PUMP PRESSURE HOSE 48"	1
52	W-OMK73138	PUMP VACUUM HOSE 48"	1
53	W-OMK73134	AIR BLOCK VACUUM HOSE 5.38"	1
54	W-OMK73132	NOSE PIPE TUBE 11"	1
55	W-OMK73137	AIR BLOCK PRESSURE HOSE 13"	1
56	W-OMK73133	FEED DRUM HOSE 36"	1
57	W-OMK73136	RIGHT PAPER GUIDE HOSE 28"	1
58	W-OMK73135	LEFT PAPER GUIDE HOSE 36"	1



54	W-OMK73132	NOSE PIPE TUBE 11"	1
55	W-OMK73137	AIR BLOCK PRESSURE HOSE 13"	1
56	W-OMK73133	FEED DRUM HOSE 36"	1
57	W-OMK73136	RIGHT PAPER GUIDE HOSE 28"	1
58	W-OMK73135	LEFT PAPER GUIDE HOSE 36"	1