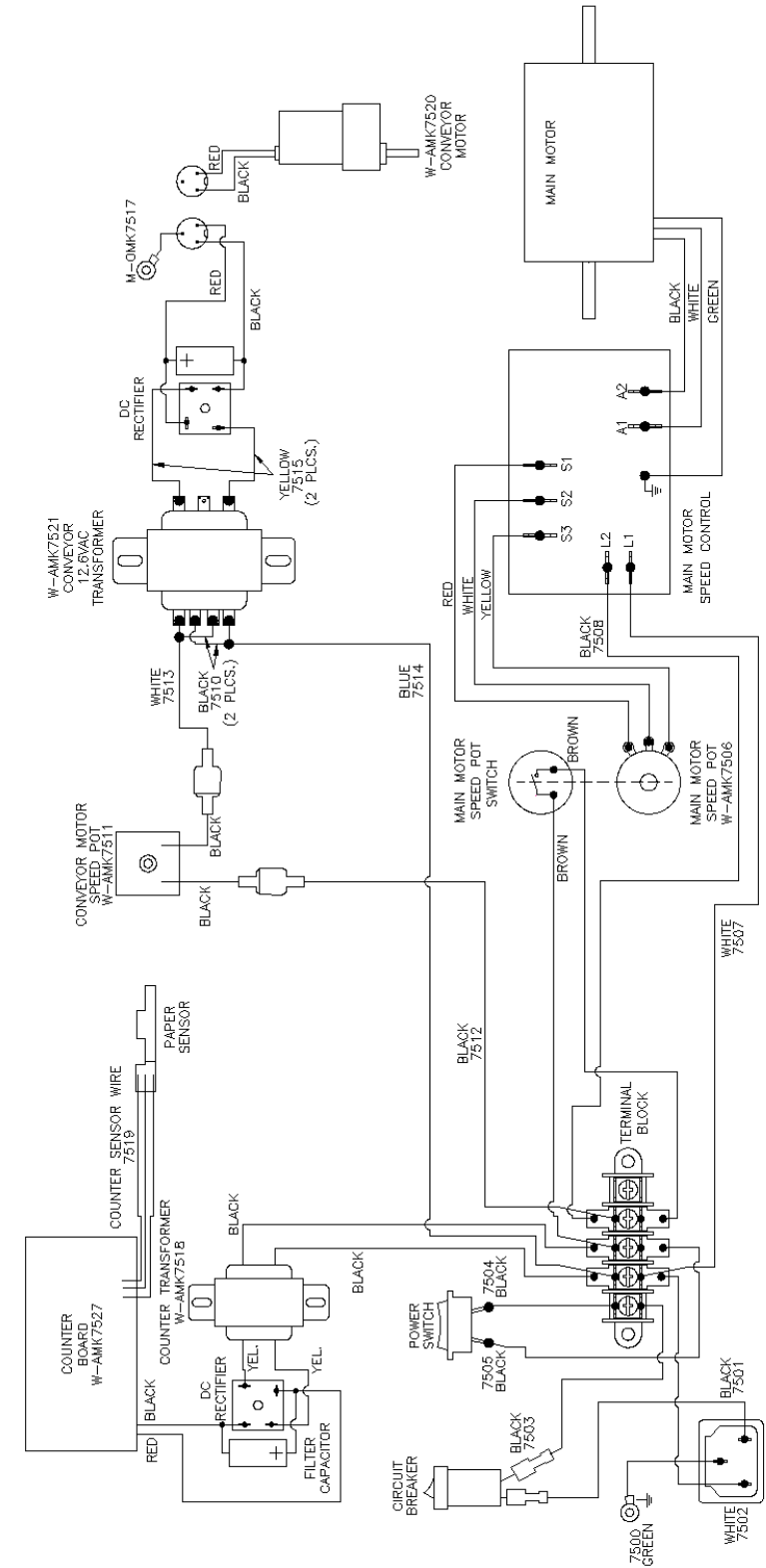
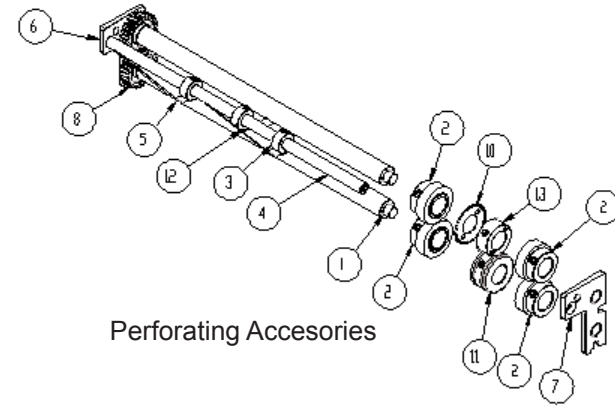
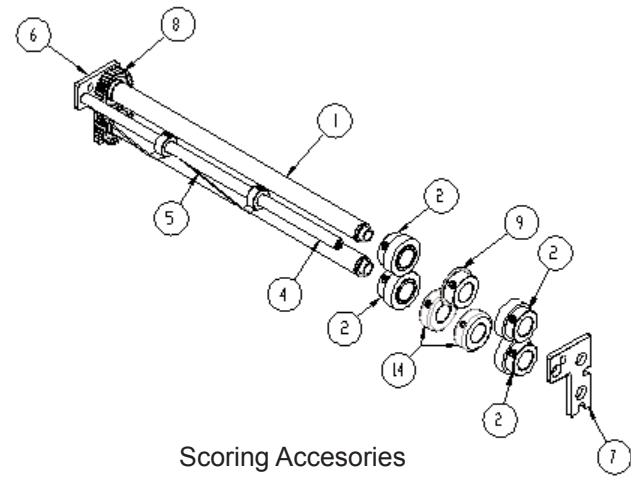




MARK VII PRO SERIES

Item	Part No.	Description	Qty
1	W-OMK7071	ACCESSORY SHAFT B/O	2
2	W-AMK7072	EXIT ROLLER ASSEMBLY	4
3	W-OMK7077	ACCESSORY GUIDE COLLAR	3
4	W-OMK7079	B/O ACCESSORY TIE ROD	1
5	W-OMK7078	ACCESSORY GUIDE STRIP BO	2
6	W-OMK7080	LEFT ACCESSORY MOUNT BO	1
7	W-OMK7081	RIGHT ACCESSORY MOUNT BO	1
8	M-OMK7117	16P28T SPUR GEAR 5/8 D-BORE	2
9	W-OMK7202	THIN SCORING HUB B/O	1
10	M-OMK7241	PERFORATOR BLADE 41T	1
11	M-OMK7201	PERFORATOR BACKUP HUB	1
12	W-OMK7076	PERF STRIPPER BO	1
13	M-OMK7200	BLADE HUB	1
14	W-OMK7204	SCORING BACKUP COLLAR B/O	2



251 Wedcor Avenue • Wabash, IN 46992
 Phone: (260)563-0641 • Fax: (260)563-4575

Website: www.martinyale.com • Email: info@martinyale.com

Mark VII Wiring Diagram

Mark VII Parts List & Diagram

Item	Part No.	Description	Qt
1	W-AMK7010	1ST FOLD PLATE ASSEMBLY	1
2	W-AMK7011	2ND FOLD PLATE ASSEMBLY	1
3	W-AMK7020	RIGHT BEARING PLATE ASSY	1
4	WRAMK7030	DRIVE ROLLER	1
5	WRAMK7031	FOLD ROLLER	3
6	M-OMK7123	GEAR 24T X 3/8ID	3
7	M-O03034A	GEAR 24T X 1/2" D-BORE	2
8	M-S022163	15T XL037 PULLEY 1/2ID DF	2
9	W-AMK7035	FEED TABLE ASSEMBLY	1
10	W-AMK7050	LEFT SIDE FRAME ASSEMBLY	1
11	W-AMK7051	RIGHT SIDE FRAME ASSEMBLY	1
12	W-AMK7052	BASE PAN ASSEMBLY	1
13	W-AMK7071	ACCESSORY ASSEMBLY	1
14	W-AMK7085	CONVEYOR ASSEMBLY	1
15	W-IMK7106	PEM SENSOR BRACKET	1
16	W-OMK7055	B/O TIE ROD	2
17	W-OMK7070	B/O ACCESSORY DRIVE SHAFT	1
18	M-S025388	82T XL037 BELT	1
19	M-S022165	42T XL PULLEY .50 ID	1
20	M-S022017	12 TOOTH, .438ID, DIE CAST AL	1
21	M-OMK7065	DEJAM GEAR	1
22	W-OMK7107	DEJAM HANDLE SHAFT B/O	1
23	W-OMK7108	DEJAM HANDLE BRACKET B/O	1
24	M-S045313	LONG RANGE RTRO SENS	1
25	W-FMK7053	MOTOR SHROUD P/C	2
26	W-AMK7110	LEFT SIDE COVER ASSEMBLY	1
27	W-OMK7111	S/S RIGHT SIDE COVER	1
28	W-FMK7091	CONVEYOR TRAY P/C	1
29	M-OMK7096	SIMPLE FOLD CART	2
30	W-AMK7115	RETARDER FRAME ASSEMBLY	1
31	W-FMK7116	P/C ROLLER GUARD	1
32	M-O095903	14T .38 D-BORE GEAR	1
33	M-S031113	DE-JAM COMPRESSION SPRING	1
34	M-S014030	.50 IGLIDE CLIP BRG	1
35	9925051	POWER CORD US 18-3	1
36	M-S025011	BELT XL037 65T	1
37	M-S021084	MARK VII MOTOR 90VDC	1
38	M-S037094	4" FAN LEFT PLASTIC	1
39	M-S032047	HANDWHEEL DG#239	1
40	M-OMK7124	24T SPUR GEAR 1/2 D-BORE	1

