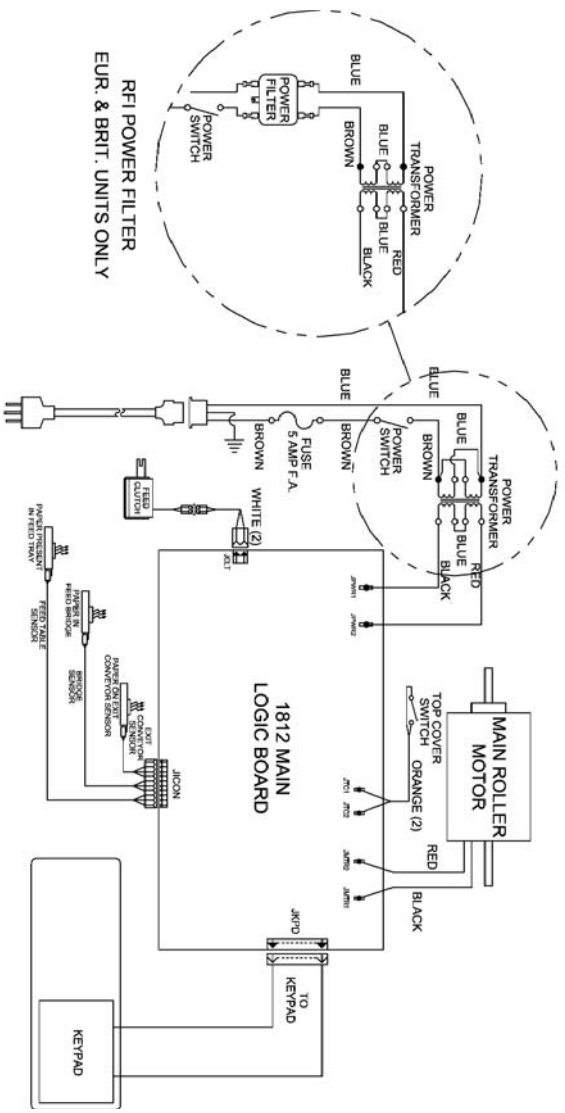





1812 Variable Speed AutoFolder

Parts List & Diagrams



RFI POWER FILTER
EUR. & BRIT. UNITS ONLY

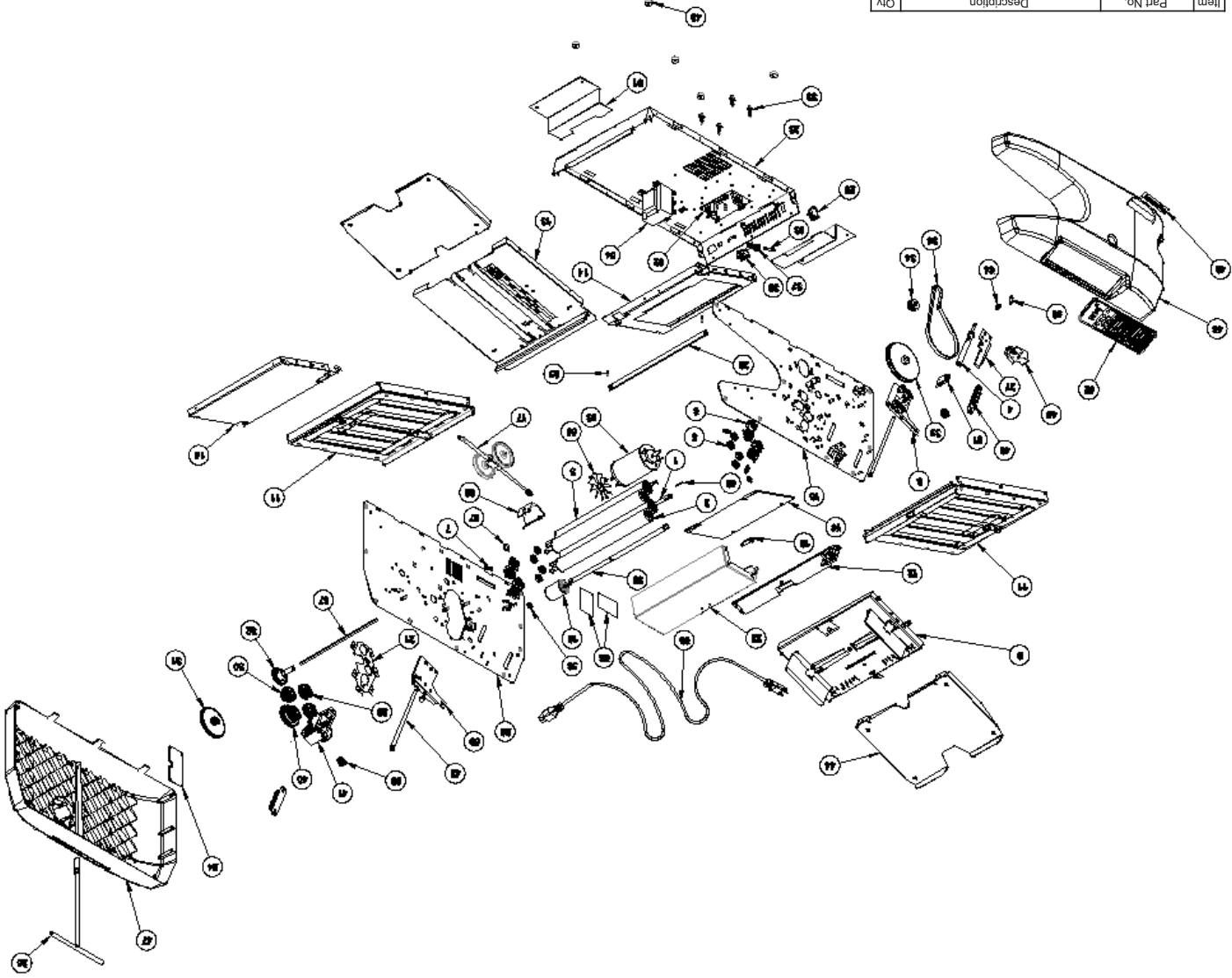
MARTIN YALE Industries

251 Wedcor Avenue • Wabash, IN 46992
Phone: (260)563-0641 • Fax: (260)563-4575
Website: www.martinyale.com • Email: info@martinyale.com

1812 Wiring Diagram

Item	Part No.	Description	Qty
1	W-A2051016	Second Roller Grnd	1
2	W-A2051013	First Roller Grnd	2
3	W-A2051007	Forth Roller Grnd	1
4	M-S048015	Damper .24rodx3"st	1
5	M-S020016	Bng .375idx.875od	8
6	M-O2051006	Bearing Carrier	8
7	M-S031035	Comp.sprng Blue	4
8	W-A2051043	Feed Table Assy-F	1
9	W-A2051041	Feed Table Assy	1
10	W-A1812001	Fold Table Assy	2
11	W-A1812001	Mold & Grnd Feed Wheel	1
12	W-A2051042	Fd Tbl Bridge Assy	1
13	W-A1812006	Exit Conveyor Assy	1
14	W-F2051105	P/C Motor Frame	1
15	W-F2051109	P/C Support Frame	1
16	W-F2051104	P/C Access Panel	1
17	W-A1812004	Stack Wheel Assy	1
18	M-S045285	Sensor Rtno Rflicr	1
19	W-A2051002	Front Frame Assy	1
20	W-A2051079	Back Frame Assy	1
21	W-F2051060	Roller Plate	1
22	W-O2051110	P/C Sheet Metal Top Cover	1
23	W-F2051070	P/C Base Plate	1
24	W-O2051224	P/C T-handle Cover	1
25	M-S012016	8mm Nut Drv T-handle	1
26	M-S033053	SPST Rocker Switch O-I	1
27	W-F2051040	P/C Feed Table Lock	1
28	M-O003033	Gear 24T V 3/8 ID	2
29	M-O2051068	Machine Diverter	1
30	M-O2051065	4th Roller Drv Gear	1
31	M-O2051064	Exit Conv Idlr Gear	1
32	M-O2051063	Exit Conv Drv Gear	1
33	M-S019047	Lckn PCB Support 5/8	4
34	M-S022144	Hhd 3mm 25t Pulley	1
35	W-A2051162	120t Pulley 3mm Hhd	1
36	M-S023055	Hhd 3mm 186t 9mm W	1
37	M-S045065	Fuse Holder, Panel	1
38	M-S045274	Universal Power Inlet	1
39	W-O2051253	B/O Feed Wheel Shaft	1
40	M-O2051067	Second Roller Drv Gear	1
41	W-A2051081	Feed Wheel Clutch	1
42	W-O2051086	B/O Guide Shaft	2
43	M-S030045	755 RW Bumpers	5
44	W-F2051056	P/C Feed Table Ext	2
45	M-O2051107	Feed Table Release	1
46	M-O2051102	Front Cover	1
47	M-O2051103	Rear Cover	1
48	M-O1812115	Side Cover Label	1
49	M-O2051139	Anti-twist Geartrack	2
50	M-S031105	E-spr:24x1.25x.031	1
51	M-S030340	Microswitch	1
52	W-A1812135	Operator Interface	1
53	WRA021076	Motor w/terminals (1812, 2045, 2051)	1
54	M-S04524	Power Transformer	1
55	M-S037094	4" Fan Left H. Plast	1
56	M-S011004	1/8" Sq X 1" Key	1
57	M-S014031	5/8" Idrge Clip Brg	1
58	M-S014030	1/2" Idrge Clip Brg	2
59	W-A2051051	Fd Tbl Guide Assy-R	1
60	M-O2051208	Synchro Gear	2
61	W-O2051252	Form Ship Bracket	2
62	WRA1812031	1812 PC Board	1

Item	Part No.	Description	Qty
63	M-S63601106	Fuse Smp 110V	1
64	M-O2051101	Diam Handle Spring	1
65	M-S031103	E-spr:18x1.05x.015	2
66	W-O1812005	P/C Exit Deflector	1
67	W-O2051073	B/O Drive Shaft	1
68	M-S015288	Blank Serial Label	2

1812 Parts List & Diagram



Item	Part No.	Description	Qty
69	M-S045074	18-3 SVT 2M Cord	1

Used on 115V Only (pictured)

Item	Part No.	Description	Qty
69	M-S037404	Eur Power Cord IEC320	1
	M-S045154	Rfi Power Filter	1

Used on 230V Only (not pictured)